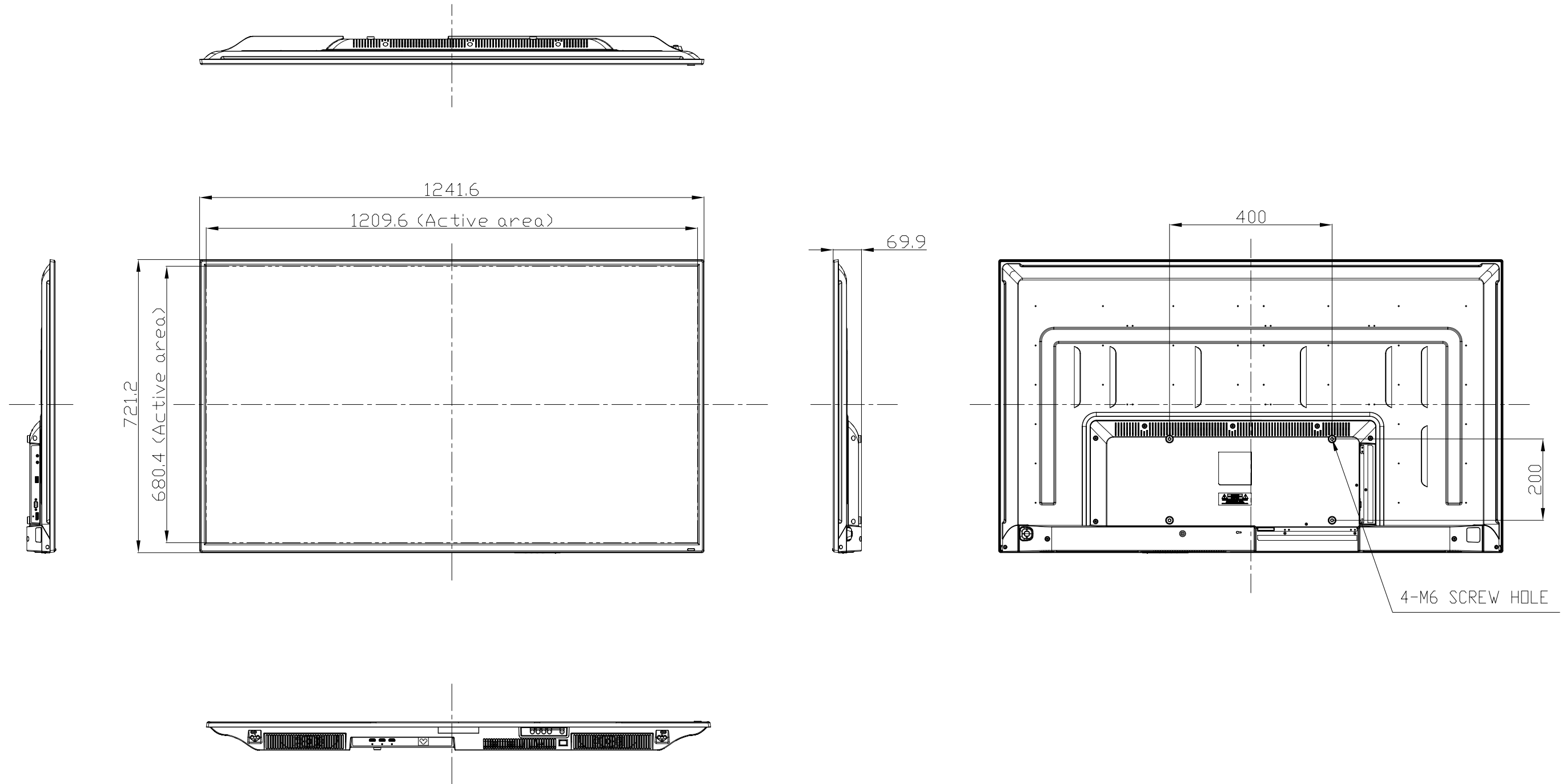


EX-M4K552XDB2  
UNIT:mm  
08-June-2023



<Note>

- 1.)Dimensions tolerance is within  $\pm 2.0\text{mm}$  unless otherwise specified.
- 2.)Relative to the center line, and symmetrically unless otherwise specified.
- 3.)This drawing is reference materials.  
Therefore there is a possibility to change without notice.